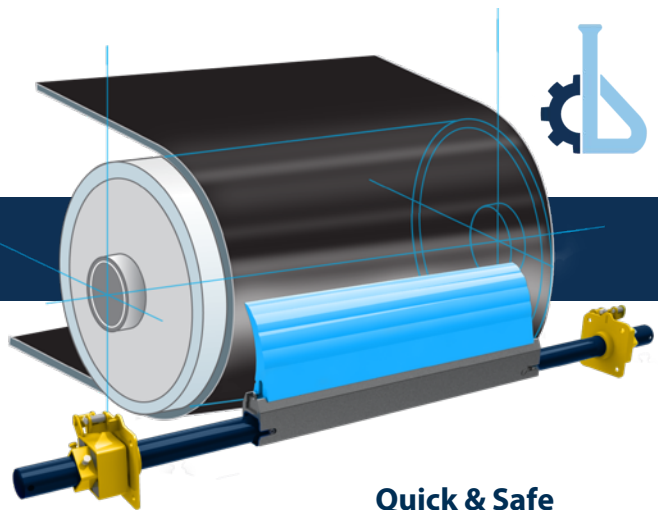




BEP2 Primary Belt Cleaner



Key Features & Benefits

Heavy-Duty, Urethane Blades in 13" Heights

- Heavy duty abrasion resistant polyurethane blades incorporating Benetech wave profile design provides best in class performance and wear in a cartridge/segmented blade design
- Blades are in 6" widths to work with the contours of the belt for better cleaning performance
- Large blades provide longer wear life reducing replacement costs and extending time between blade change-outs

Two-Piece Blade Cartridge

- Blades can be pre-installed in the cartridge for easy installation on the cleaner
- Cartridge can be quickly and safely removed for blade replacement from either side of cleaner
- Replacement cartridge with new blades can be quickly installed, minimizing maintenance time
- Pull the removable pin and the cartridge can easily be removed for service
- Split track cartridge makes replacing old blades with new blades quick and easy, separate the track and remove the old blades to either put the cartridge back in service or back on the shelf for the next blade changeout

Simple Dual Spring Tensioner

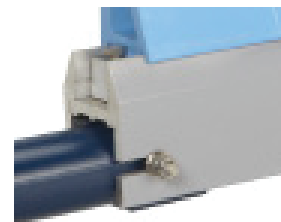
- Provides consistent force across the width of blades
- A simple adjustment of the tensioners brings the blade tension back to optimum pressure for superior cleaning

Optimized for Vulcanized Belts in Material Handling Applications

- Focused on high performance in coal fired power plants, steel mills, ports, cement plants, saw mills, pulp mills and mining
- Years of application knowledge and experience from the Benetech team
- Best-in-Class design and technology

Quick & Safe Blade Changes

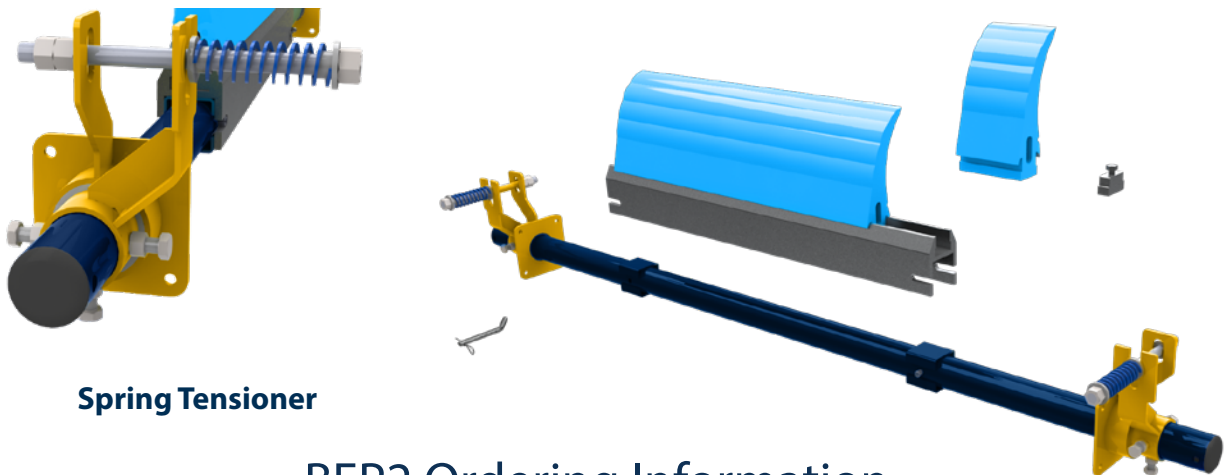
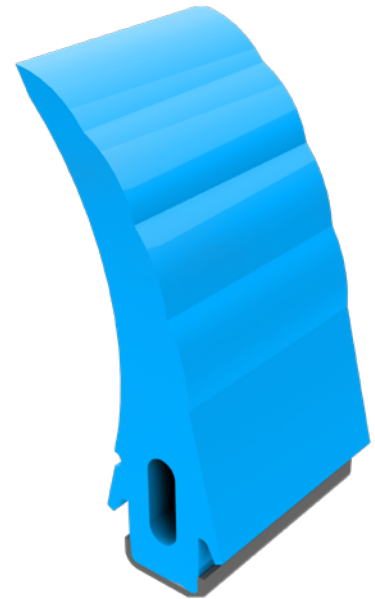
1. Remove one blade pin and safely remove cartridge from pole.
2. Insert auxiliary cartridge with new blades.
3. Loosen bolts on cartridge and slide out worn blades.
4. Slide in new blades and put cartridge on the shelf for the next change out.



BEP2 Primary Belt Cleaner

Blade Design Features

- Wave profile minimizes over-under spikes in cleaning pressure as the blade wears out
- Wave technology provides a variable attack angle to clean even the most stubborn material sticking to your conveyor belt
- Profile gives a clear indication how blades are wearing and when new ones should be ordered
- Symmetric blade cavities in the base allow the blade to twist and rotate, giving dynamic multi-axis response and allowing the BEP2 blade to conform to even the most irregular belts
- Abrasion resistant polyurethane and blade profile design give optimum performance and extended wear life



Spring Tensioner

BEP2 Ordering Information

Belt Width		Blade Ordering Number	# of blades required	Blade Ordering Number
in	mm			
24	600	BEP2-024-2U1B2	3	BEP22
30	750	BEP2-030-2U1B2	4	BEP22
36	900	BEP2-036-2U1B2	5	BEP22
42	1050	BEP2-042-2U1B2	6	BEP22
48	1200	BEP2-048-2U1B2	7	BEP22
54	1350	BEP2-054-2U1B2	8	BEP22
60	1500	BEP2-060-2U1B2	9	BEP22
72	1800	BEP2-072-2U1B2	10	BEP22
84	2133	BEP2-084-2U1B2	12	BEP22

BENETECH
2245 Sequoia Dr. #300
Aurora, IL 60506

+1 (630) 844 -1300
info@benetechusa.com
www.benetechglobal.com

