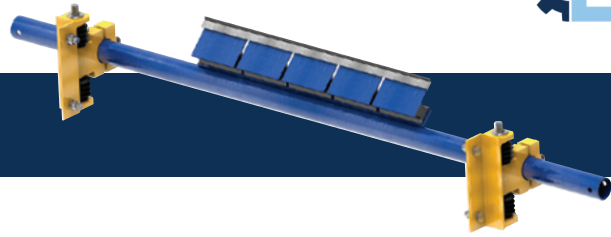




BXS3 Secondary Belt Cleaner



Key Features & Benefits

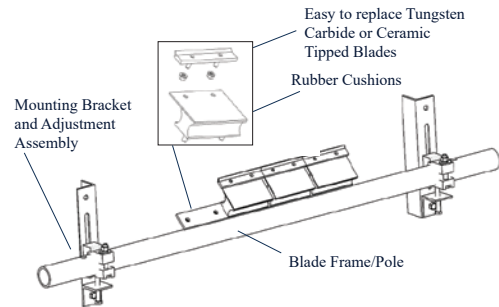
Compact design- can be installed and maintained in most chute applications

Individual self adjusting galvanized mild steel bases- each tensioned to the belt by impact absorbing cushions ensuring optimal cleaning

Replaceable abrasion resistant, tungsten carbide or ceramic cartridges- durable and easy to maintain

Sits close to pulley- ensures the material fines are directed back into the regular material flow

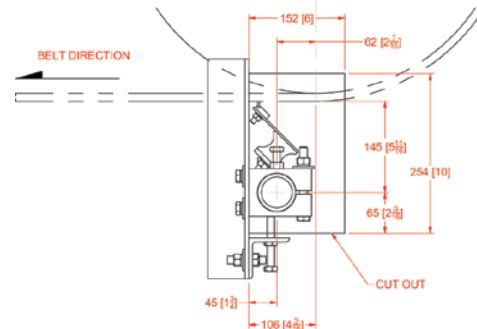
Positioned at laid back blade angle- allows mechanical splices to pass without any damage



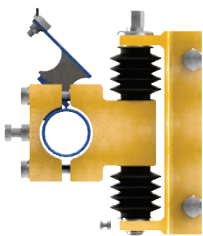
The BXS3 cleaner consists of individual 150 mm segmented blades, each one mounted to a durable rubber cushion. Separate blades ensure constant blade to belt contact on uneven surfaces, guaranteeing maximum cleaning performance.

Ordering Information

Belt Width in	Belt Width mm	Blade Qty	Tungsten Carbide	Ceramic
18	450	3	BXS3-018-1T11X	BXS3-018-1C11X
24	600	4	BXS3-024-1T11X	BXS3-024-1C11X
30	750	5	BXS3-030-1T11X	BXS3-030-1C11X
36	900	6	BXS3-036-1T11X	BXS3-036-1C11X
42	1050	7	BXS3-042-1T12X	BXS3-042-1C12X
48	1200	8	BXS3-048-1T12X	BXS3-048-1C12X
54	1350	9	BXS3-054-1T13X	BXS3-054-1C13X
60	1500	10	BXS3-060-1T13X	BXS3-060-1C13X
72	1800	12	BXS3-072-1T13X	BXS3-072-1C13X
84	2133	14	BXS3-084-1T13X	BXS3-084-1C13X
96	2438	16	BXS3-096-1T11X	BXS3-096-1C13X
Replacement Cartridges			BXS3T-S	BXS3B-C



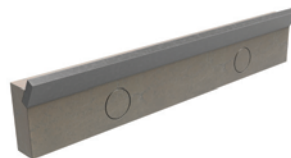
Optimally positioned off the head pulley in a trailing position, the passive position allows imperfections to pass through the cleaner. The angled tips contact the belt at 90 degrees ensuring maximum cleaning performance.



Full Assembly



Tungsten Carbide Blade with Base



Tungsten Blade



Ceramic Blade

BENETECH
2245 Sequoia Dr. #300
Aurora, IL 60506

+1 (630) 844 -1300
info@benetechusa.com
www.benetechglobal.com

