



Benetech Training Idler

Superior Performance

- Saves money
- Prevents belt and structural damage
- Reduces downtime

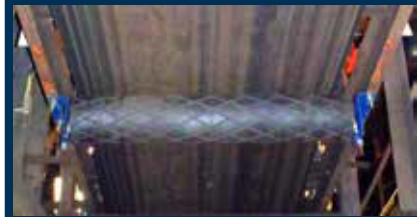
Widely used in the mining industry and other conveyor related industries, the Benetech Training Idler responds instantly to the misalignment of the belt and does so without special modifications to the structure.

Frame and guide rollers are often the cause of belt damage, which reduces the lifetime of the belt. The Benetech Training Idler requires no maintenance and fits into a standard drop bracket. The Benetech Training Idler can be manufactured to suit all belt sizes in operation, in any country. Special design requirements, such as specific shaft dimensions and lengths are possible at little or no additional charge.

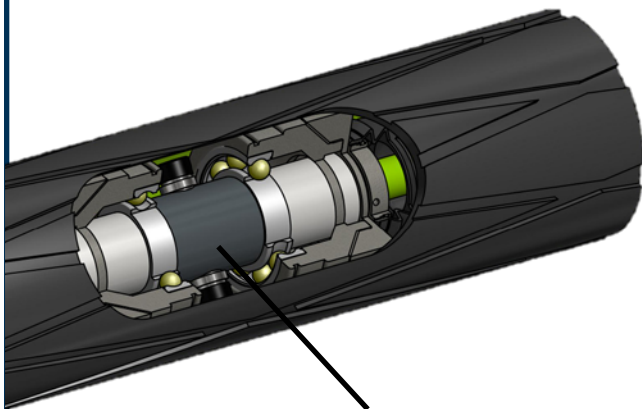
The Reversible Benetech Training Idler is available if required for reversing conveyor belts.



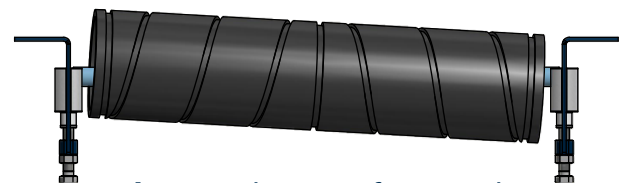
Benetech Training Idler in action preventing belt damage



Adjustable tensioning brackets assure proper tension for maximum belt tracking performance



Seals, O-Rings and Expansion Rings are designed to ensure the longevity, integrity and performance of the roller unit.



Above: Side View of Benetech Training Idler adjustment motion.

Below: Aerial view of Benetech Training Idler adjustment motion.



The Benetech Training Idler accommodates belts ranging from 450-2300mm.

Designed and Manufactured

The Benetech Training Idler is a quality product that is made of precision-turned C.N.C. components. Special hardened steels and other alloys ensure that the Benetech Training Idler performs optimally over an extended period of time, in the toughest conditions. The bearings in the Benetech Training Idler continuously run in the oil thus prolonging its life span.

The Benetech Training Idler is a fully serviceable product and carries a 1-year warranty! A Benetech Training Idler does not need to be discarded but can be reconditioned. (Terms and conditions apply)

To order a reversible Benetech Training Idler, contact a Benetech representative for information. Normal Benetech Trainers ARE NOT compatible with reversing conveyors.

Benetech Training Idler Ordering Information		
ITEM NUMBER	BELT WIDTH	
	in	mm
30 Series (CEMA C&D)		
BRT018-SG45/30D	18	458
BRT024-SG60/30D	24	600
BRT030-SG75/30D	30	750
BRT036-SG90/30D	36	900
BRT042-SG105/30D	42	1050
BRT048-SG120/30D	48	1200
BRT054-SG135/30D	54	1350
40 Series (CEMA E)		
BRT036-SG90/40E	36	900
BRT042-SG105/40E	42	1050
BRT048-SG120/40E	48	1200
BRT054-SG135/40E	54	1350
BRT060-SG150/40E	60	1500
BRT066-SG165/40E	66	1650
BRT072-SG180/40E	72	1800
50 Series (CEMA F)		
BRT042-SG105/50F	42	1050
BRT048-SG120/50F	48	1200
BRT054-SG135/50F	54	1350
BRT060-SG150/50F	60	1500
BRT066-SG165/50F	66	1650
BRT072-SG180/50F	72	1800
BRT084-SG210/50F	84	2134

Please use this guide to select the best series for the individual application.

Contact a Benetech representative for more information.

BENETECH
2245 Sequoia Dr. #300
Aurora, IL 60506

+1 (630) 844 -1300
info@benetechusa.com
www.benetechglobal.com

