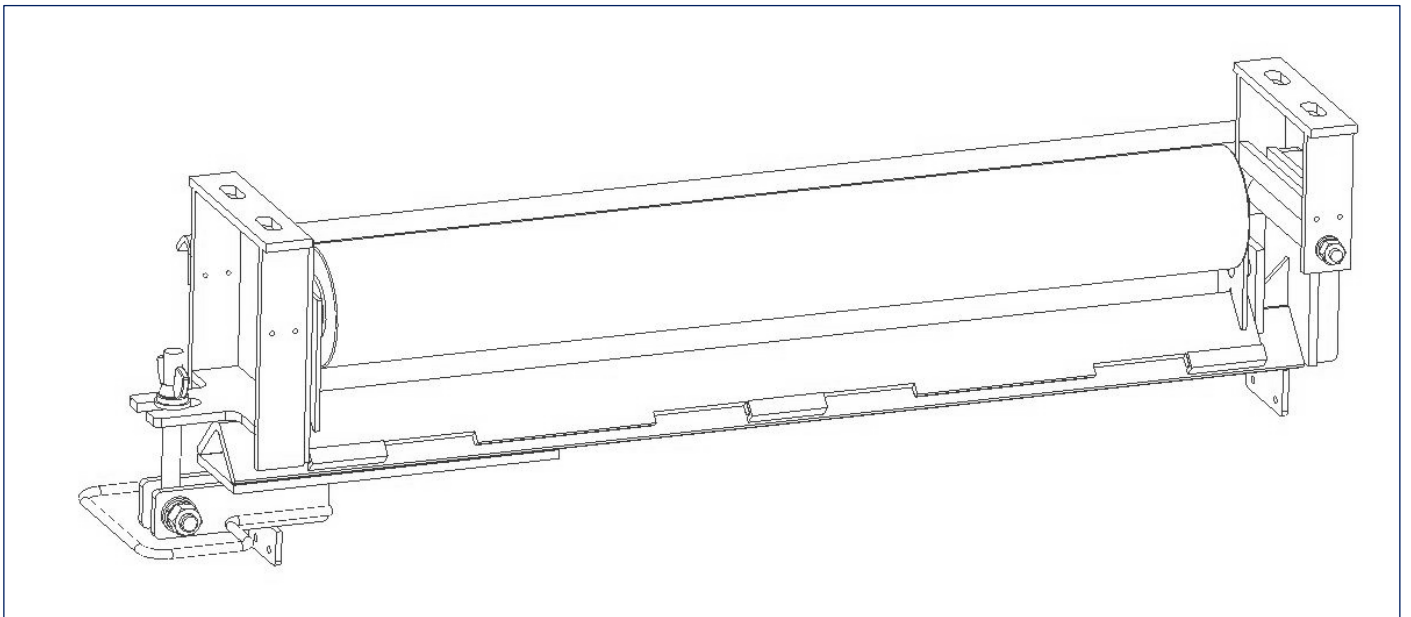




Drop & Slide Return Idler

Installation Guide



! IMPORTANT !**BENETECH, INC. HEREBY DISCLAIMS ANY LIABILITY FOR, BUT NOT LIMITED TO:**

- IMPROPER INSTALLATION OF EQUIPMENT
- IMPROPER SIZING OF EQUIPMENT
- DAMAGE DUE TO CONTAMINATION OF MATERIAL
- USER'S FAILURE TO INSPECT EQUIPMENT
- USER'S FAILURE TO MAINTAIN EQUIPMENT
- USER'S FAILURE TO TAKE REASONABLE CARE OF THE EQUIPMENT
- INJURIES OR DAMAGE RESULTING FROM USE OR APPLICATION OF THIS PRODUCT CONTRARY TO INSTRUCTIONS AND SPECIFICATIONS CONTAINED HEREIN.

BENETECH, INC.'S LIABILITY SHALL BE LIMITED TO REPAIR OR REPLACEMENT OF EQUIPMENT SHOWN TO BE DEFECTIVE.**! SAFETY !**

Review and understand all safety rules given herein along with local and Governmental standards and regulations. Know and understand the American National Standards Institute (ANSI) z244.1-1982 Lockout/Tagout procedures, the American National Standard for Personal Protection - Lockout/Tagout of Energy Sources - Minimum Safety Requirements and the Occupational Safety and Health Administration (OSHA) Federal Register, Part IV, 29 CFR Part 1910, Control of Hazardous Energy Source (Lockout/Tagout); Final Rule. Also observe all local and Governmental regulations concerning entry into confined spaces, welding, cutting, grinding, wash-down procedures and all Personal Protective Equipment (PPE) regulations.

The following notations are used throughout in this manual.

! DANGER !

Danger: Denotes immediate hazards that will result in severe personal injury or death.

! WARNING !

Warning: Denotes hazards or unsafe practices that could result in personal injury.

! IMPORTANT !

Important: Denotes instructions that must be followed for proper installation and/or operation of equipment.

NOTE

Note: Denotes general items to assist the reader/ installer/ operator.

Please pay close attention to all of these items and warnings.
They have been included here for your safety and for ease of installation.

Table of Contents

Important Safety Information.....4

Pre-Install Safety.....5

Installation Instructions.....6-9

All safety rules defined in this document and all owner/employer as well as State and Federal safety rules must be strictly adhered to when working on/with this, or any, conveyor plow system.



! DANGER !

Do not touch or go near the conveyor belt or conveyor accessories when the belt is running. Your body or clothing can get caught and you can be pulled into the conveyor, resulting in severe injury or death

! DANGER !

Before installing, servicing, or adjusting the plow, turn off AND lock out/tag out all energy sources to the conveyor and conveyor accessories according to ANSI standards. Failure to do so could result in serious injury or death.

! DANGER !

If this equipment is to be installed in an enclosed area, observe all confined space entry regulations and test the atmosphere for gas levels and dust content levels before using a cutting torch, welding equipment or electric hand tools. Using a torch, welding, grinding or drilling in an area with gas or dust may cause an explosion and/or fire resulting in serious injury or death.

! WARNING !

Before using a cutting torch, welders, or grinding equipment, cover the conveyor belt with a fire retardant/resistant cover. Make sure a water source/fire hose is readily available AND OPERATIONAL. Failure to do so can allow the belt to catch fire.

! WARNING !

Conveyor plows are heavy and may require two people to lift. Attempting to lift the plow without assistance could result in injuries or damage to the equipment.

Before Installing the Drop & Slide Return Idler

1. Inspect ALL shipping containers for damage and correct number of items (skids, pallets, cartons, boxes, etc.) being delivered. Report damage and/or shortages to delivery service immediately and fill out delivery service's claim form. Keep ALL damaged goods for examination. Benetech Inc is NOT responsible for damage occurring during transit.
2. All Benetech Inc. Drop & Slidet Return Idlers are shipped from our facilities assembled. Care should be taken while disassembling the units to ensure no parts are lost or damaged as the equipment is moved to its desired location. Dispose of shipping containers in an approved manner.
3. If any items are missing, IMMEDIATELY contact BENETECH, INC. or an authorized representative.
4. Gather tools. Minimum tools required for installation are:
 - Tape measure/ String
 - Torch/Hole Saw
 - Level/Straight Edge
 - Welder/Drill
 - Open/Box End Wrenches
 - Socket Set
 - Marker/Soapstone (Welders chalk)
5. If using a cutting torch or welding, test atmosphere for gas level or dust content. Cover conveyor belt with fire retardant cover. Verify locations of fire extinguishers and operational water hoses prior to begin cutting/welding operations.



! WARNING !

Before installing equipment, turn off AND lock out/tag out all energy sources to the conveyor and conveyor accessories according to ANSI standards and local plant regulations. Failure to do so could result in serious injury or death.

If equipment will be installed in an enclosed area, the atmosphere in the structure/area must be tested for gas levels and dust content levels before using a cutting torch, welding equipment, grinding equipment or electric powered tools. Using a cutting torch, welding, drilling or grinding in an area with gas or dust may cause an explosion.

Installation Instructions

Once a problem area has been identified, it is important to adhere to the safety regulations regarding setup, maintenance and operational repairs.



1. Clear the conveyor belt of material.
2. Ensure all workers have locked themselves from the system.
3. Before installing a Drop & Slide Return Idler ensure that the power supply to the conveyor belt has been disconnected.
4. Disengage any take-ups.
5. Raise the conveyor belt off the return idler where you want to install the Drop & Slide Return Idler.
6. Remove the idler currently in place.
7. Remove the roller brackets.
8. Install the Drop & Slide Belt Support Angle Bracket on the exit side of roller assembly.
See Figure 1.
9. Remove roller assembly, See Figure 2. Then install mounting support assembly. See Figure 3. Ensure both mounting brackets are correctly aligned and meet operational requirements.

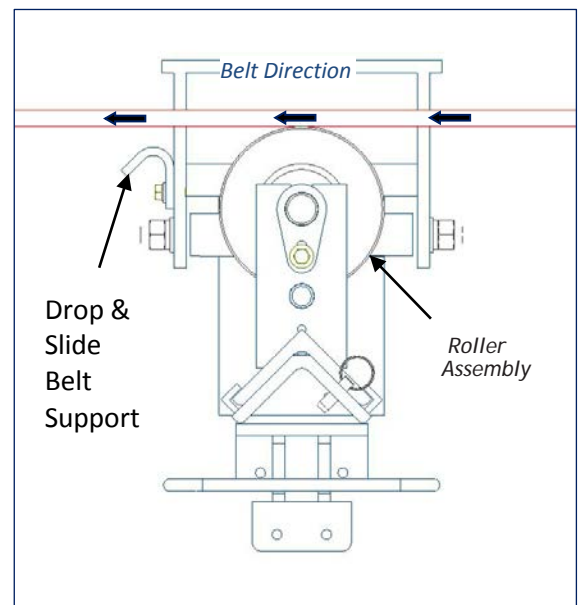


Figure 1

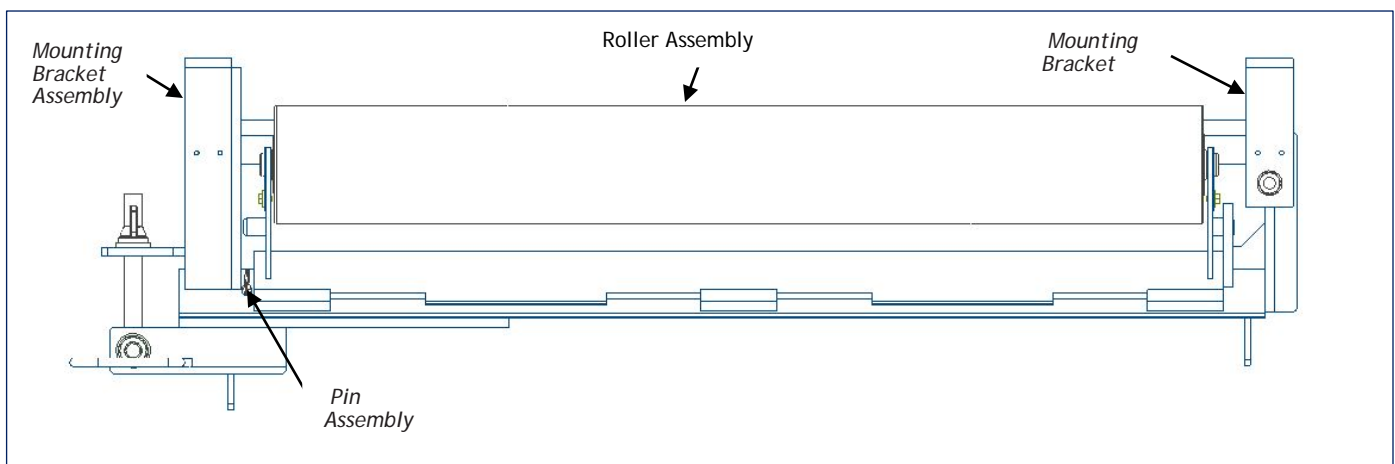


Figure 2

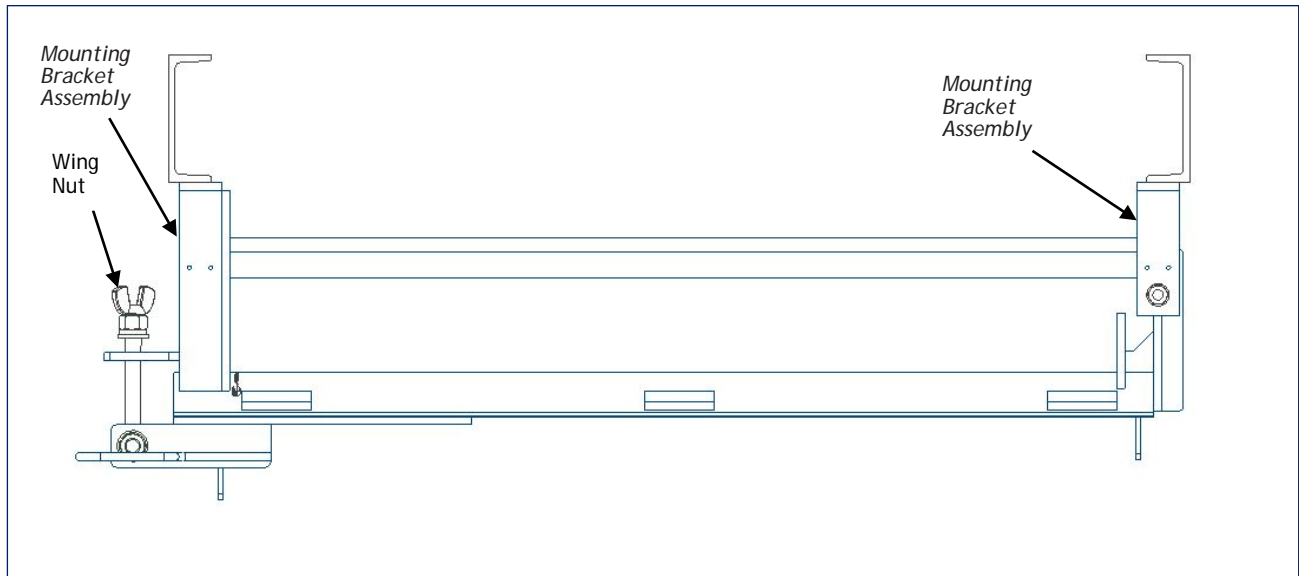


Figure 3

10. Install the Drop & Slide Return Roller by loosening the wing nut. See Figure 3. Then lower the mounting support assembly. See Figure 4

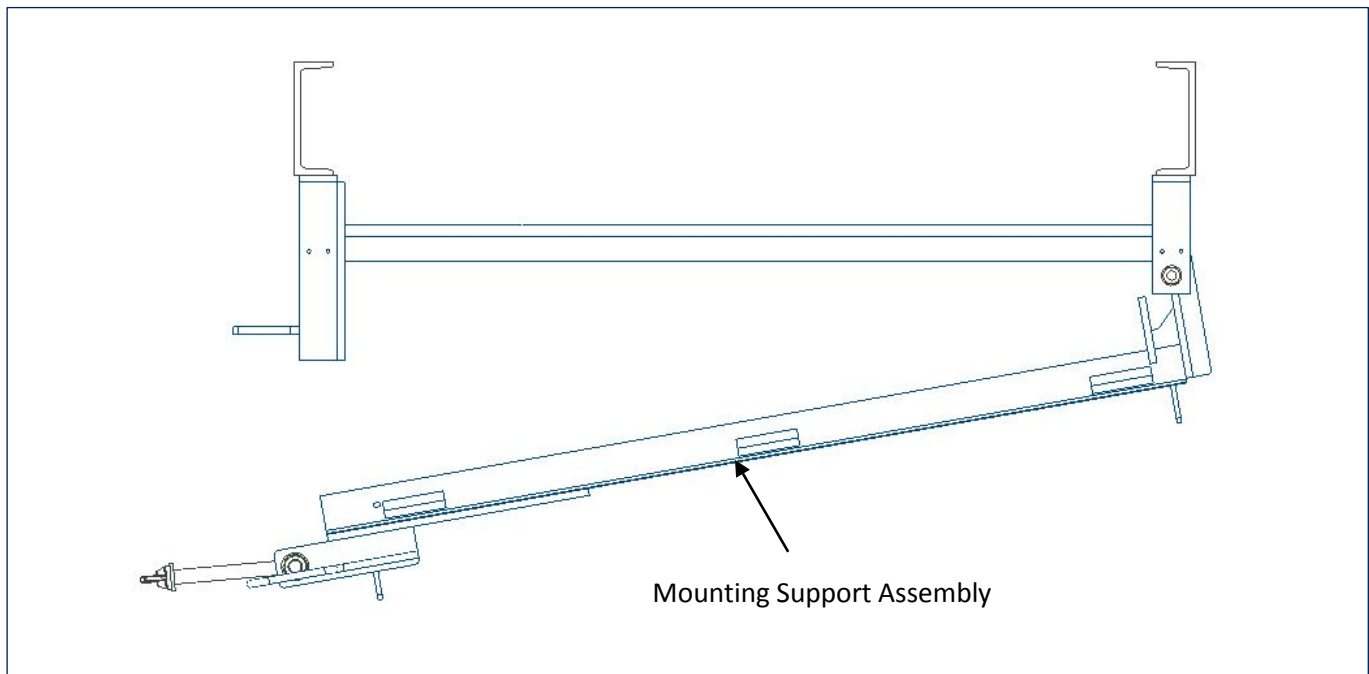


Figure 4

11. Install the Drop & Slide Return Roller Assembly. See Figure 5.

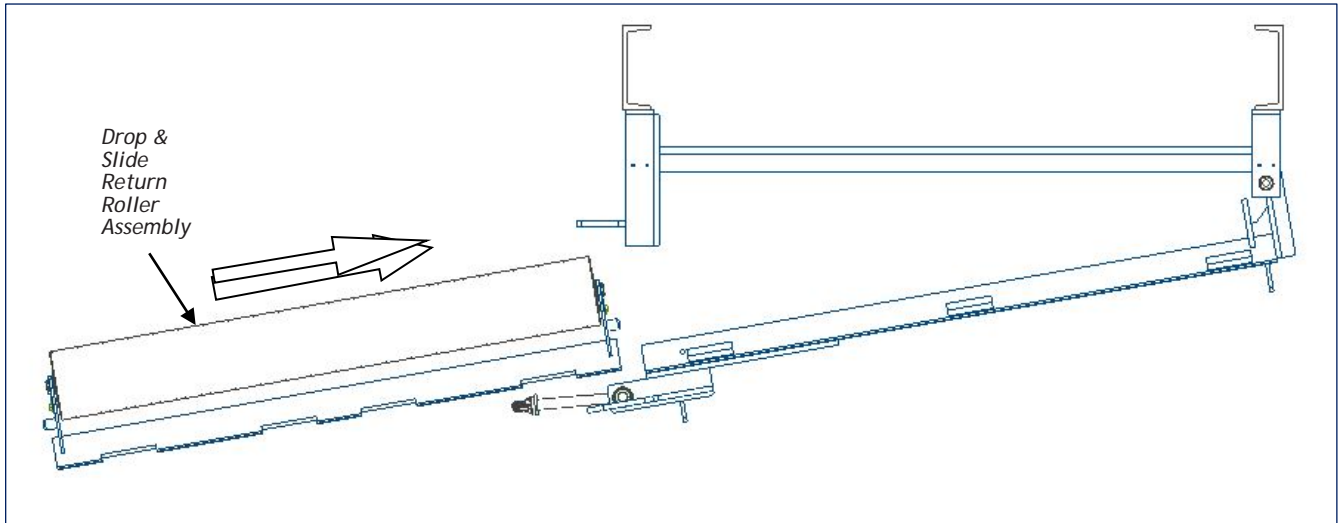


Figure 5

12. Install quick release pin.

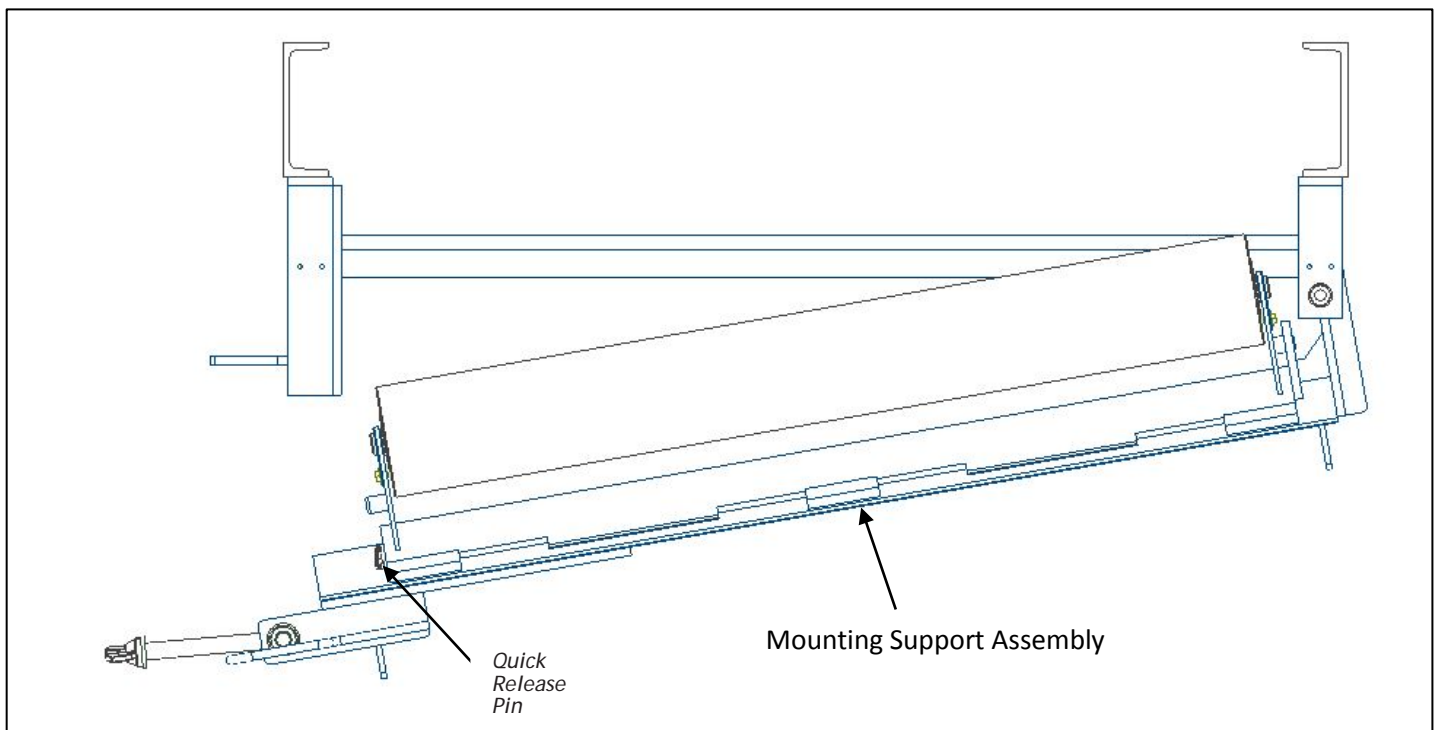


Figure 6

13. Lift the mounting support assembly in place and rotate the wing nut in place and tighten. See Figure 7 & 8.

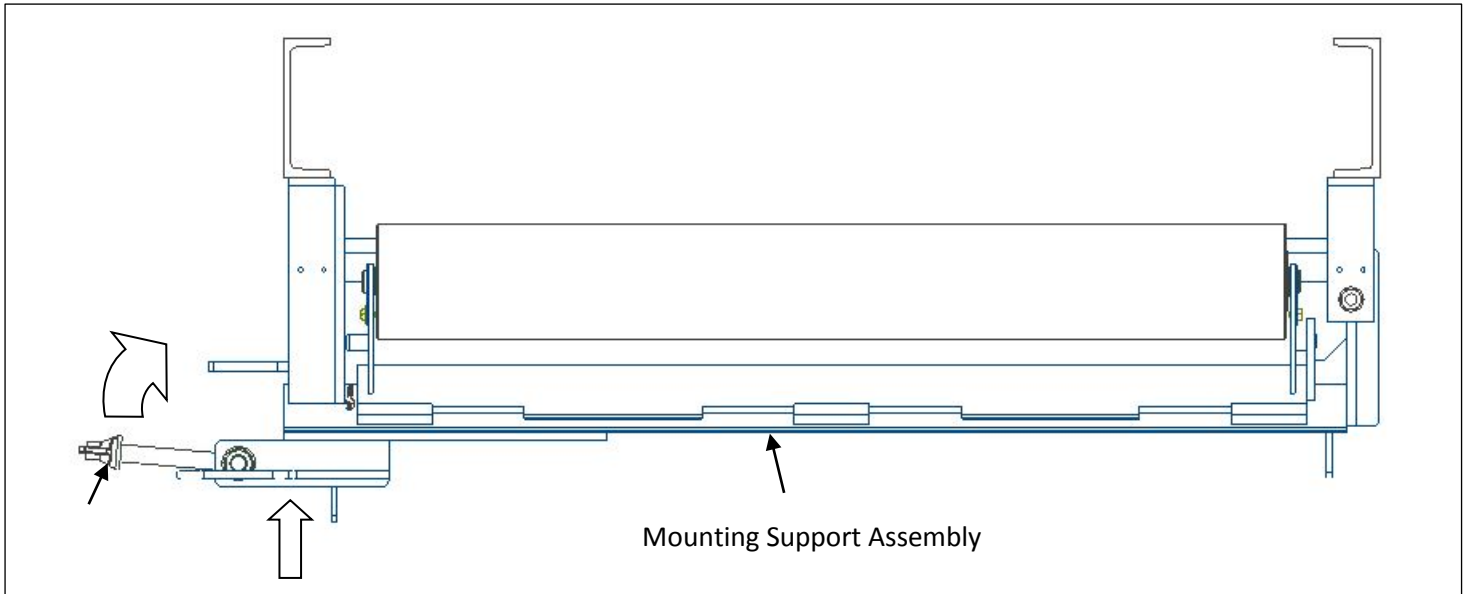


Figure 7

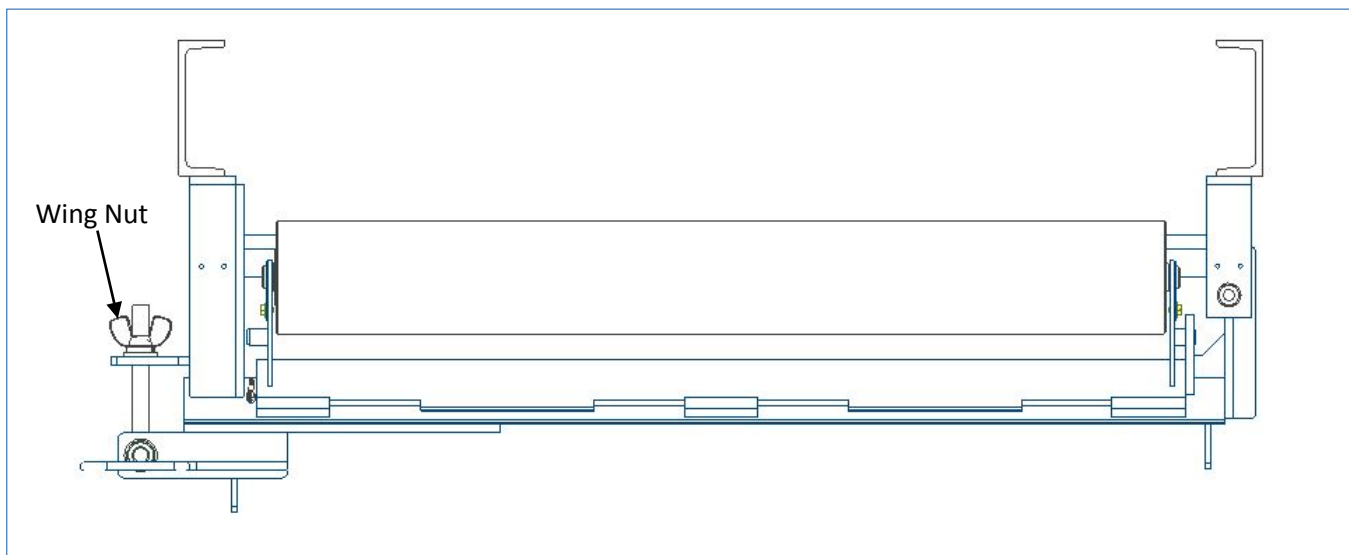


Figure 8